

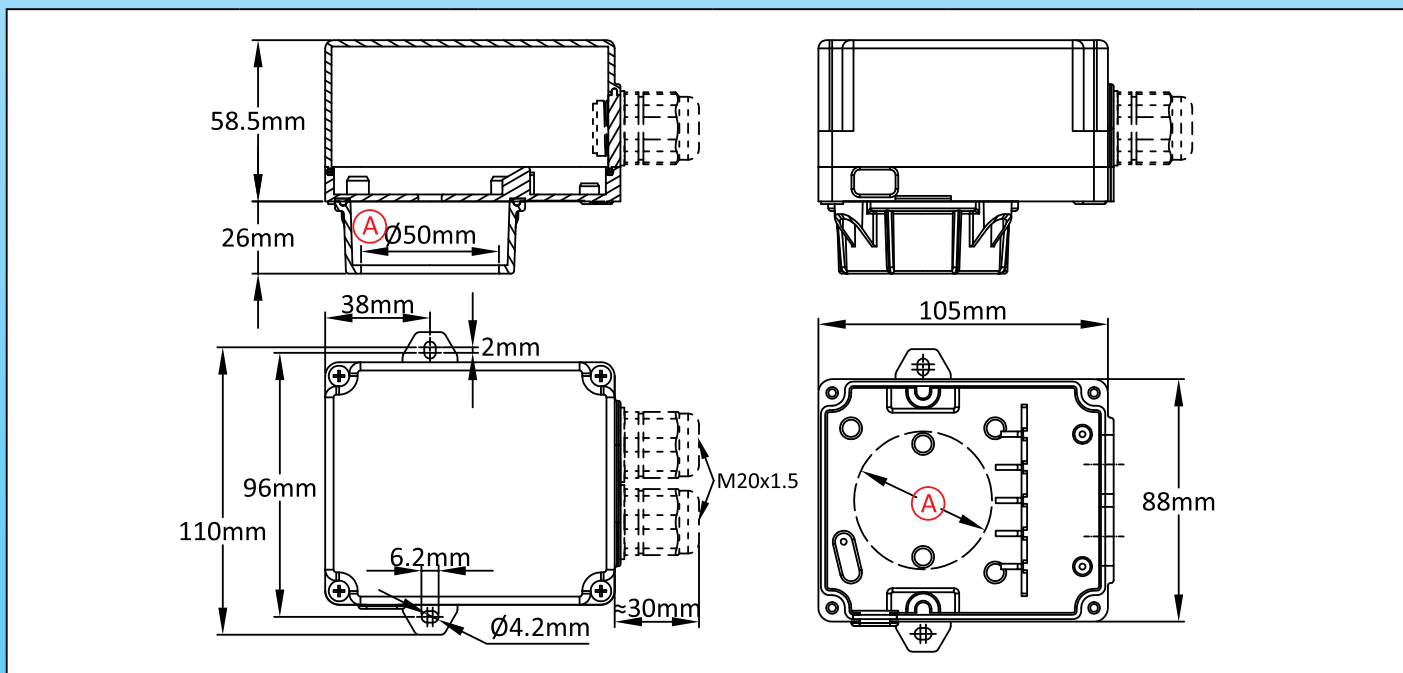
Immersion heater housing for commercial water heater tanks



Because of permanent improvement of our products, drawings, descriptions, features used on these data sheets are for guidance only and can be modified without prior advice

Size(mm)	Volume(cm ³)	Material	Protection grade		Model
105 X 88 x 84.5	633	PA66	IP69K	IK10	Y3B2

Suitable for
<input type="checkbox"/> Temperature sensor
<input checked="" type="checkbox"/> Immersion heater
<input type="checkbox"/> Finned heater
<input checked="" type="checkbox"/> Thermostat
<input type="checkbox"/> Level sensor
<input type="checkbox"/> Electronic board



Main references

(A)(mm)	References
50	Y3B2500022C0000T

Cable gland not included in these reference, consult us if you want them.

Red dimensions inside rectangular frames on drawings are used for accessories assembly.